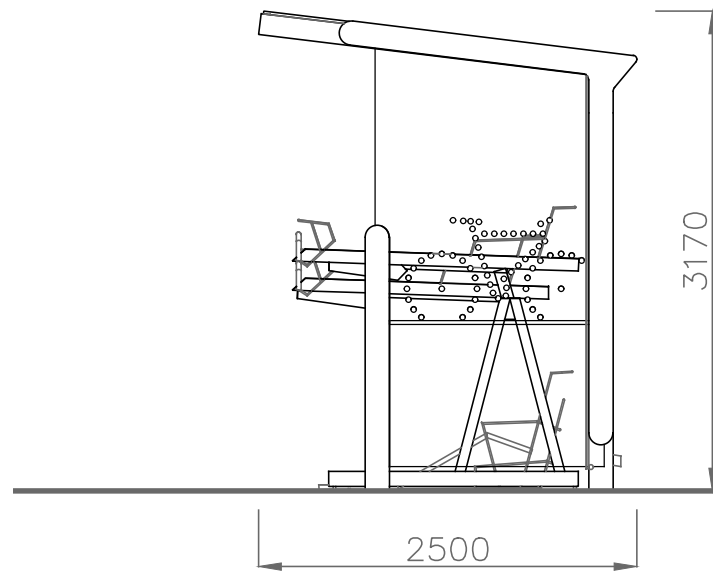
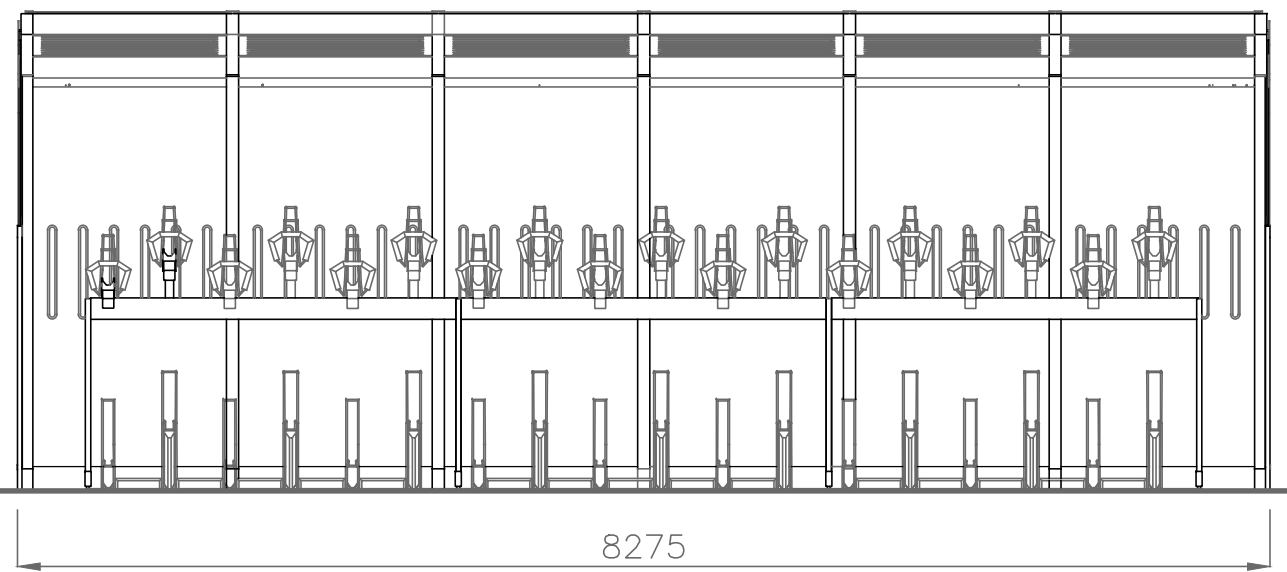


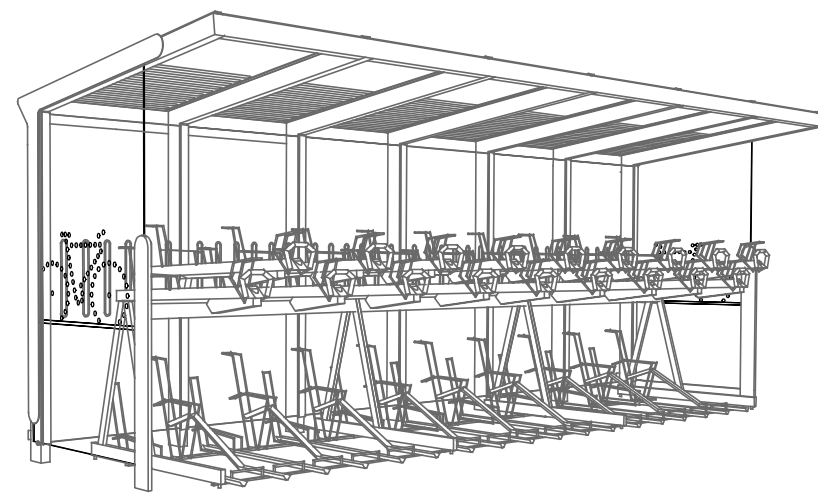
Rev.	By	Date	Description
1	AS	16/03/2019	DESCRIPTION LINE 1
2	AS	16/03/2019	DESCRIPTION LINE 2



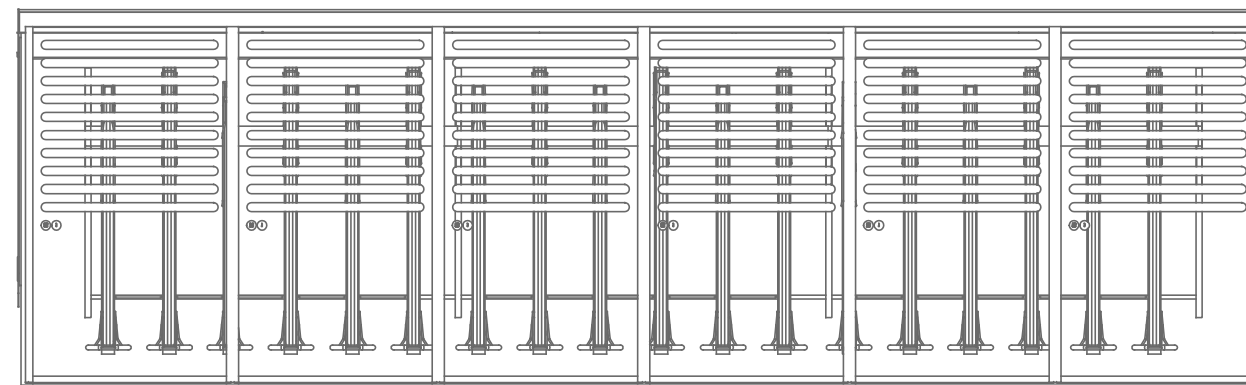
**Cycle Port**  
**Side Elevation**  
Scale 1:50



**Cycle Port**  
**Front Elevation**  
Scale 1:50



**Cycle Port**  
**3D View**  
Scale NTS



**Cycle Port**  
**Plan View**  
Scale 1:50

**CPR Note:**

All works to be carried out using proper materials which are fit for the use they are intended and for the condition in which they are to be used.

All materials used in connection with the works to comply with the Construction Products Regulation (EU) No. 305/2011 and the harmonised technical specification/standards that fall within the remit of the CPR No. 305/2011



**van Dijk Architects**  
MILL HOUSE, MILL STREET, DUNDALK, CO. LOUTH  
PH. 042-9354466 FAX. 042-9354460  
INFO@VANDIJKARCHITECTS.COM

DRAWING TITLE | PROPOSED BICYCLE PORT

SCALE   1:50	DRAWING NUMBER   1611-SHD-501	JOB   FINNABAIR SOUTH
REVISION   A	SHEET NO.   A3	CLIENT   VDI PM LTD.
DESIGNED BY   AH	DRAWN BY   SG	DATE   05/03/2019

NOTE  
FIGURED DIMENSIONS MUST BE USED IN PREFERENCE TO SCALED DIMENSIONS. ANY DIMENSIONAL DISCREPANCIES MUST BE REPORTED TO THE ARCHITECT IMMEDIATELY. THIS DRAWING REMAINS THE COPYRIGHT OF VAN DIJK ARCHITECTS. IT MUST NOT BE USED FOR ANY PURPOSE BUILDING OR OTHERWISE WITHOUT THE EXPRESS PERMISSION OF THIS PRACTICE. DO NOT COPY OR REDISTRIBUTE THESE DRAWINGS OR ANY ADDITIONAL INFORMATION WITHOUT THE EXPRESSED APPROVAL OF vanDijk Architects